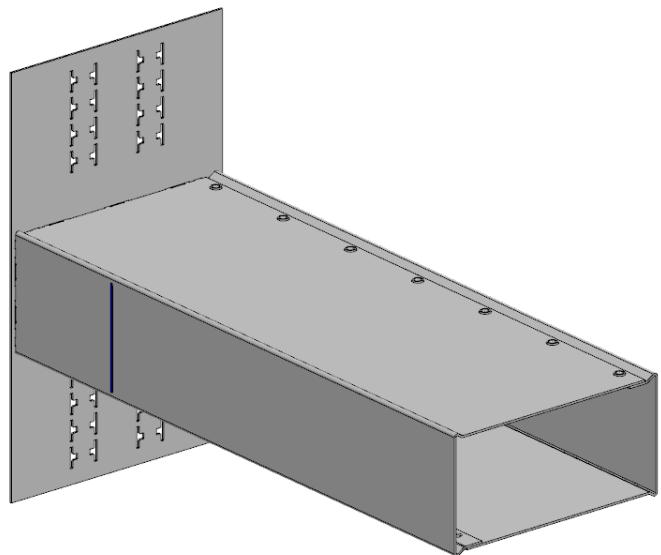
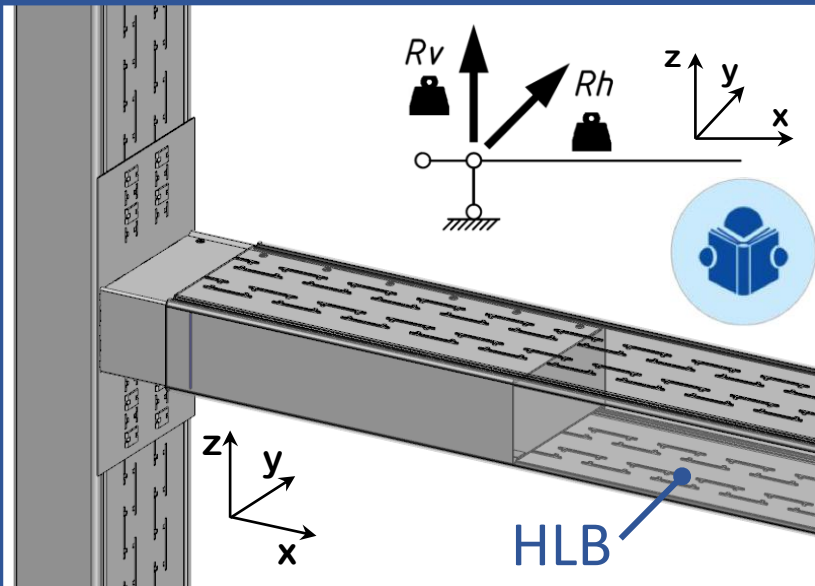
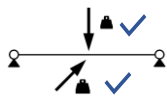


Stiflex

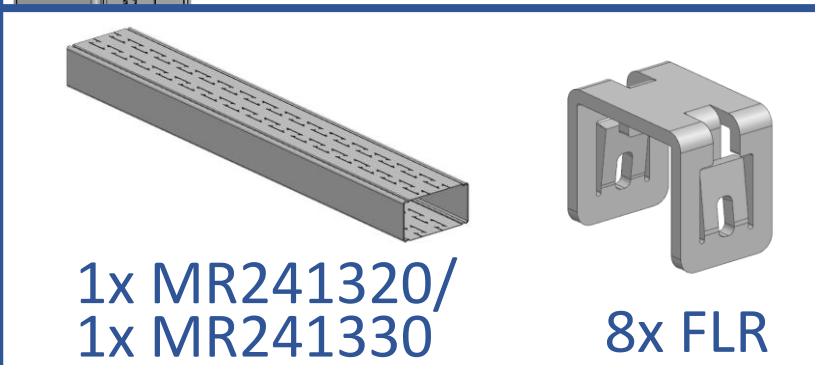
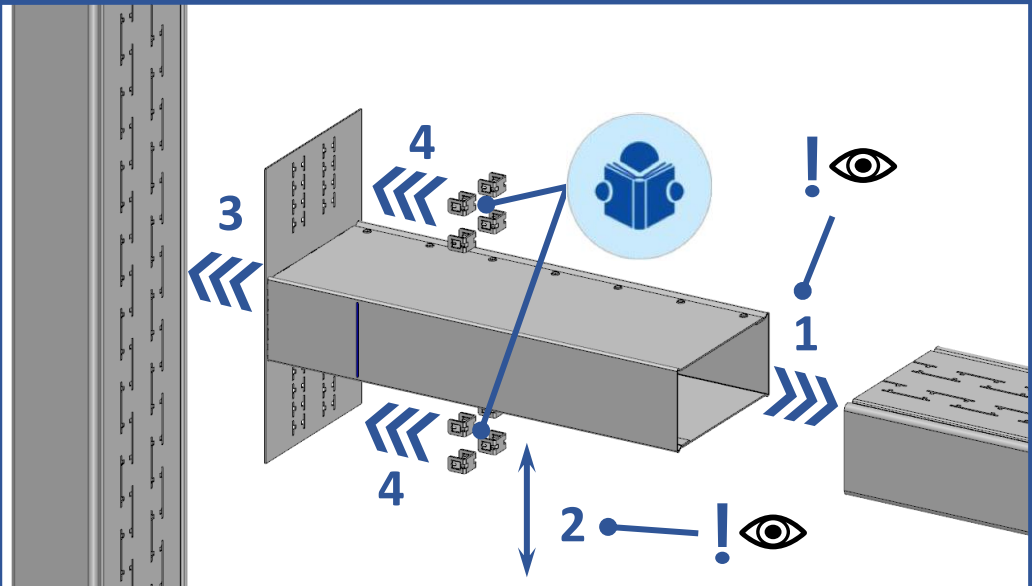


CLR2413/600
CLR2413/600-W

HLB

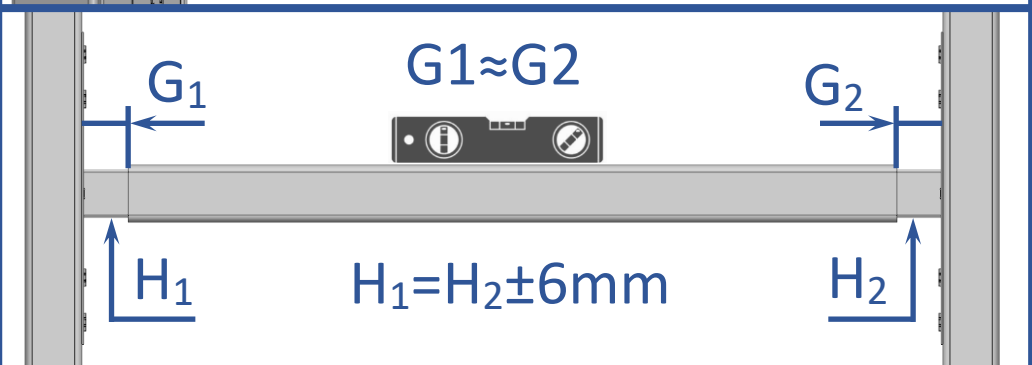


HLB



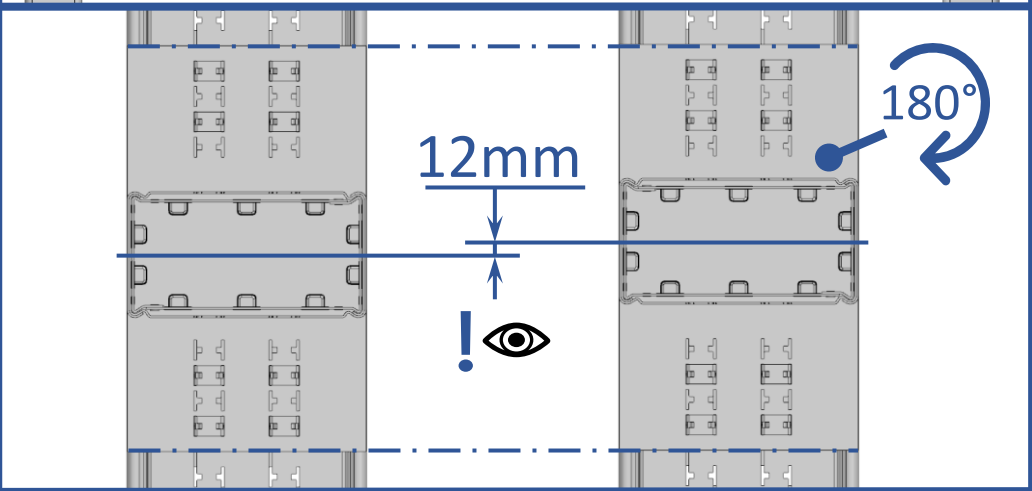
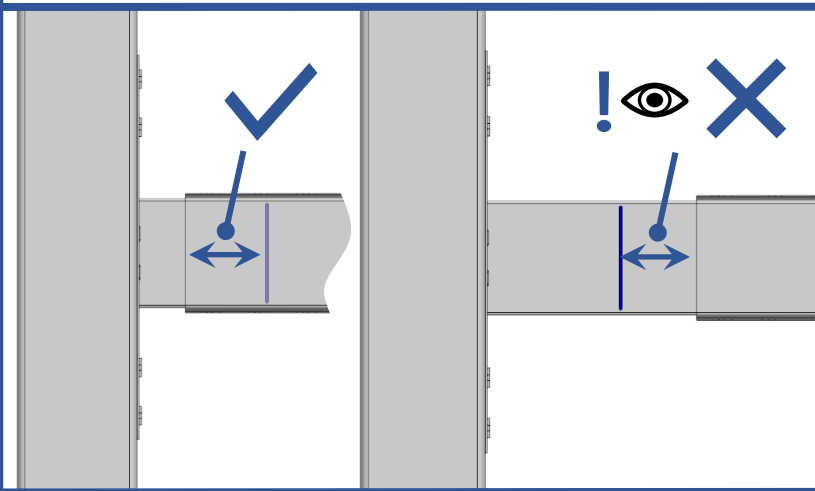
1x MR241320/
1x MR241330

8x FLR



$G_1 \approx G_2$

$H_1 = H_2 \pm 6\text{mm}$



12mm

180°