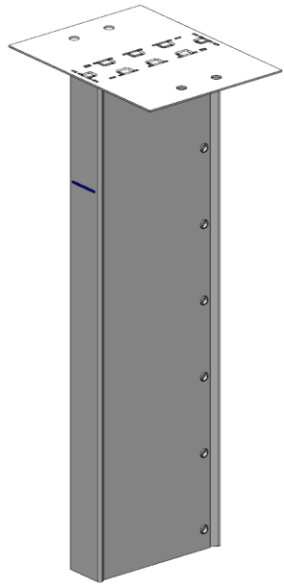
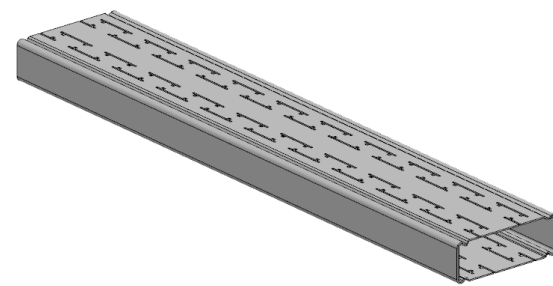
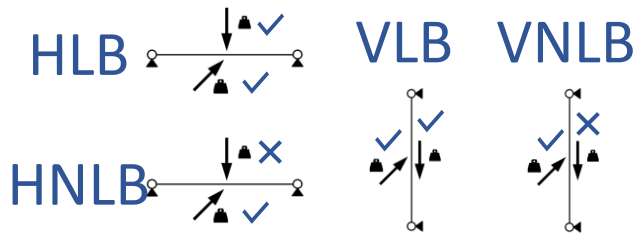
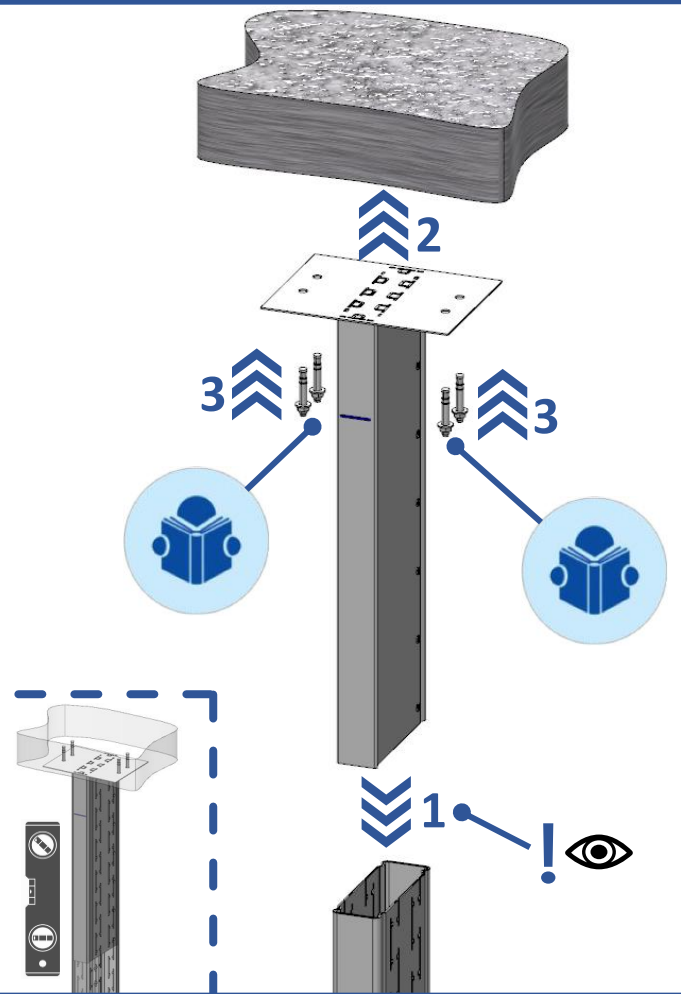
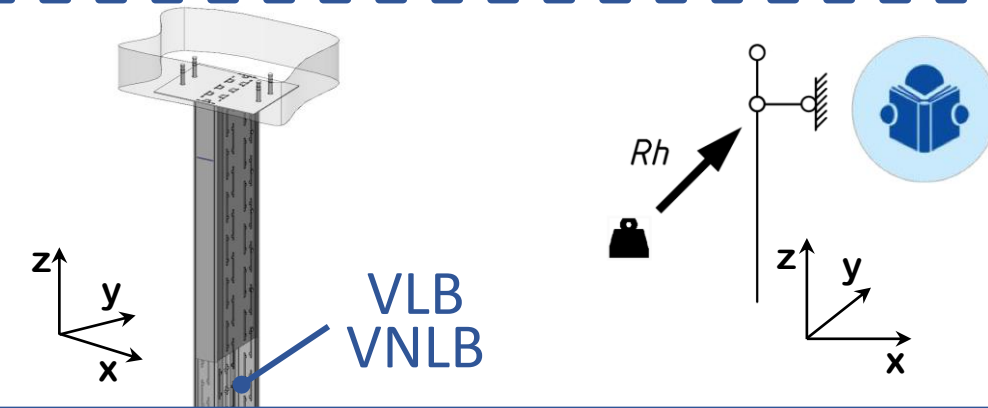
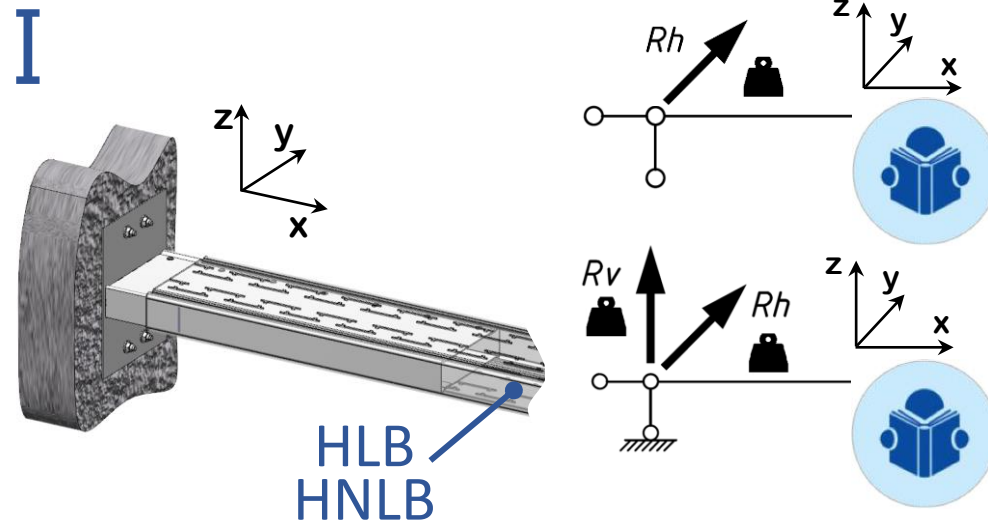


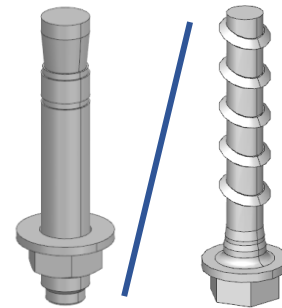
# Stiflex



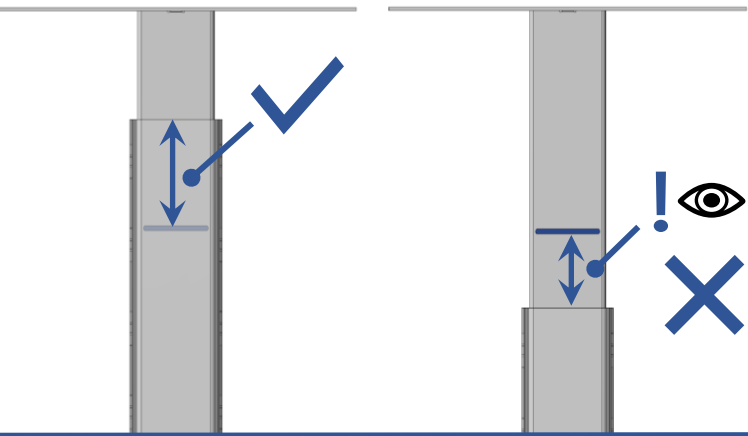
CF1906/600  
CF1906/600-W



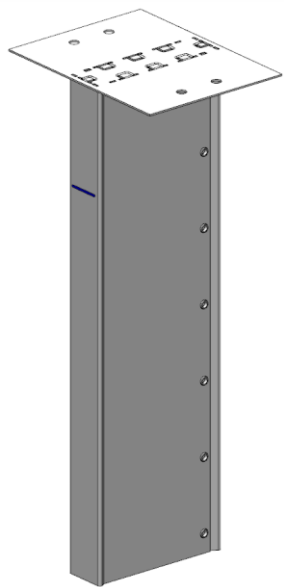
1x MR190620



4x M10

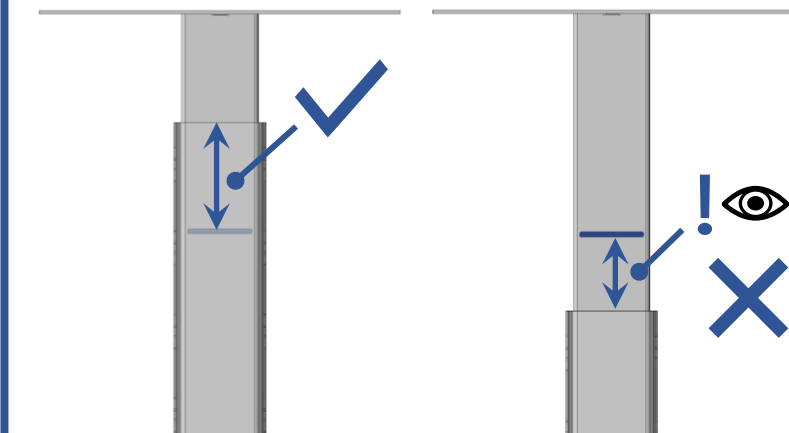
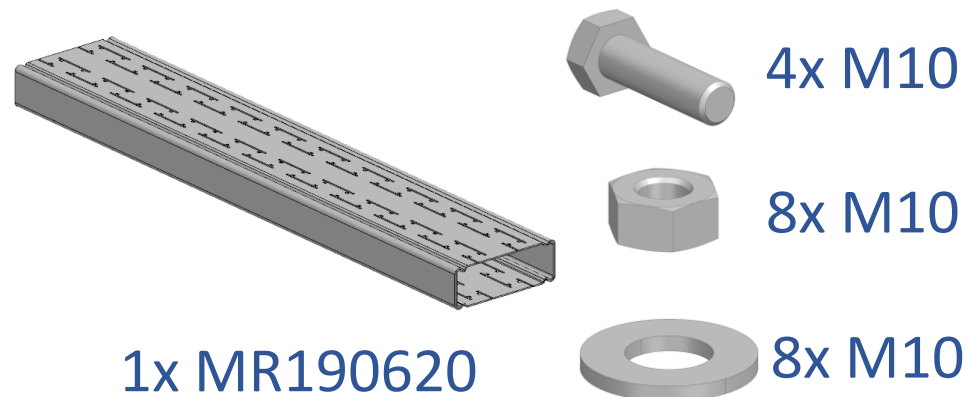
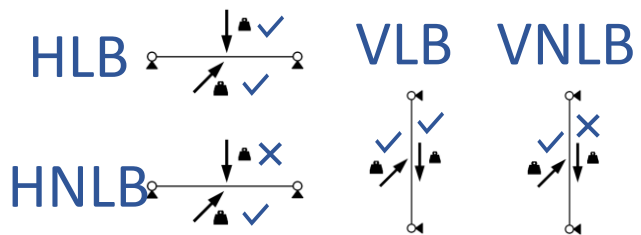
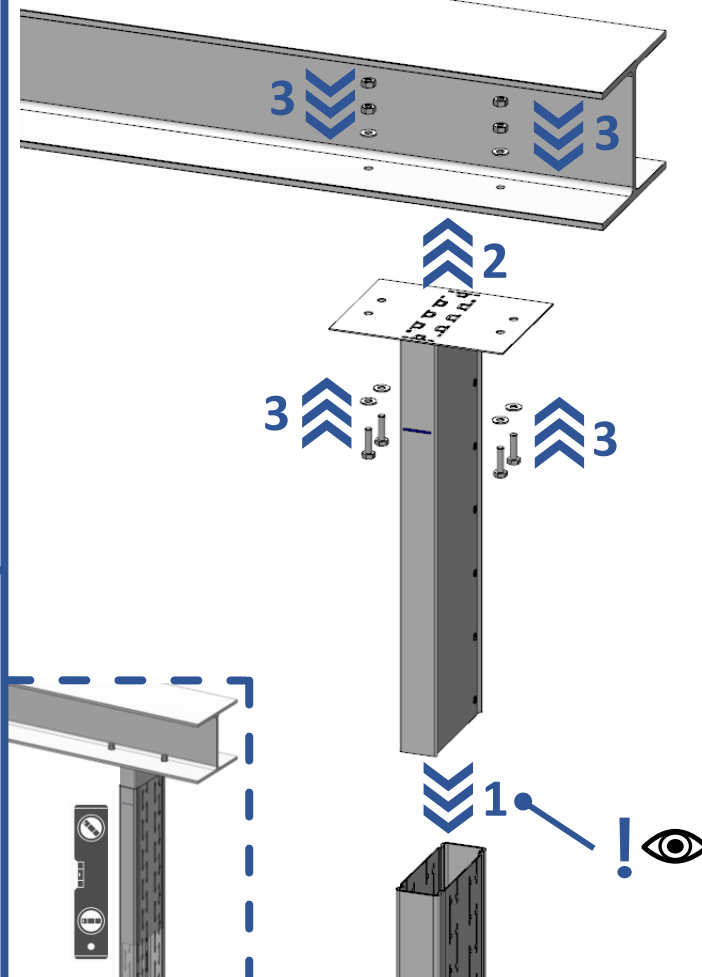
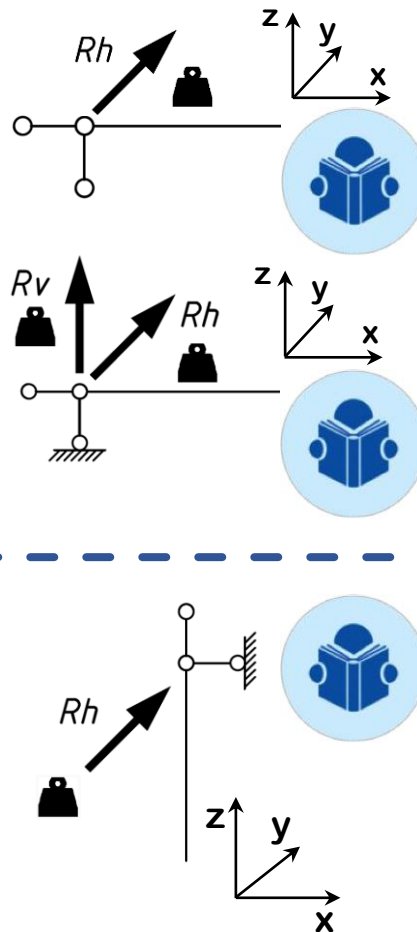
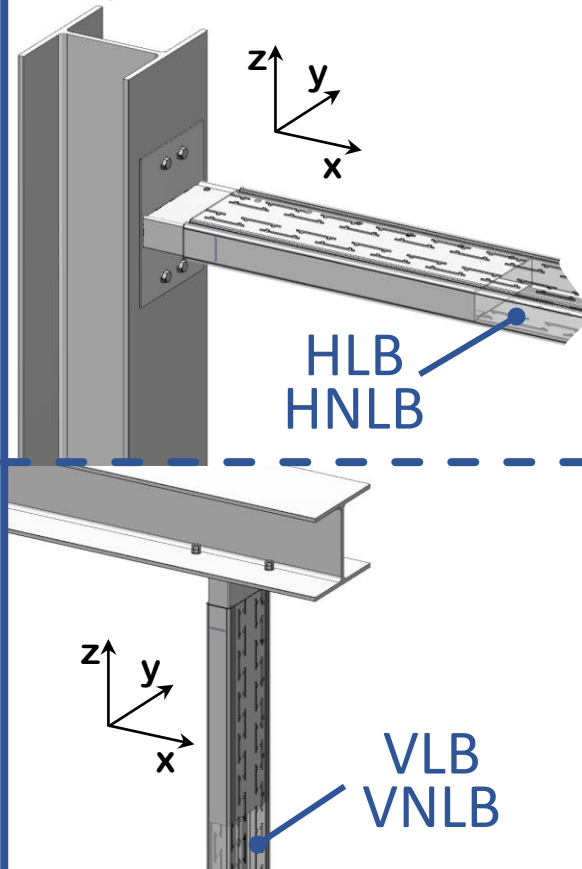


# StiFlex

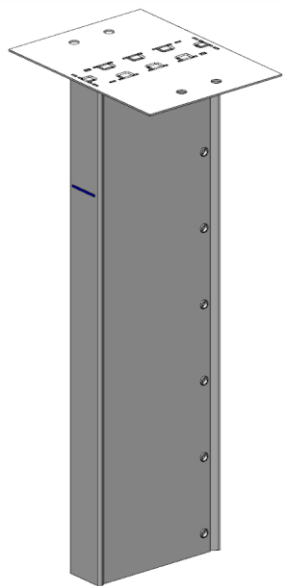


CF1906/600  
CF1906/600-W

## IIa

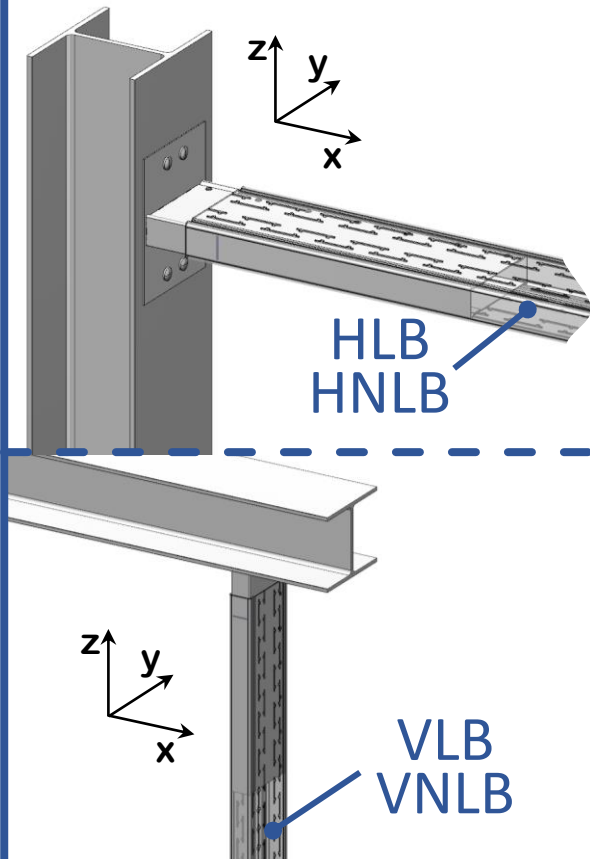


# Stiflex



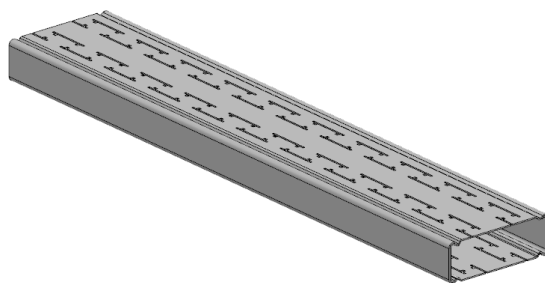
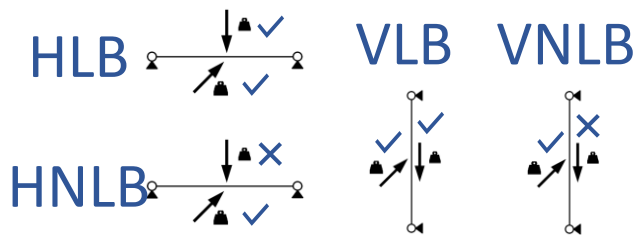
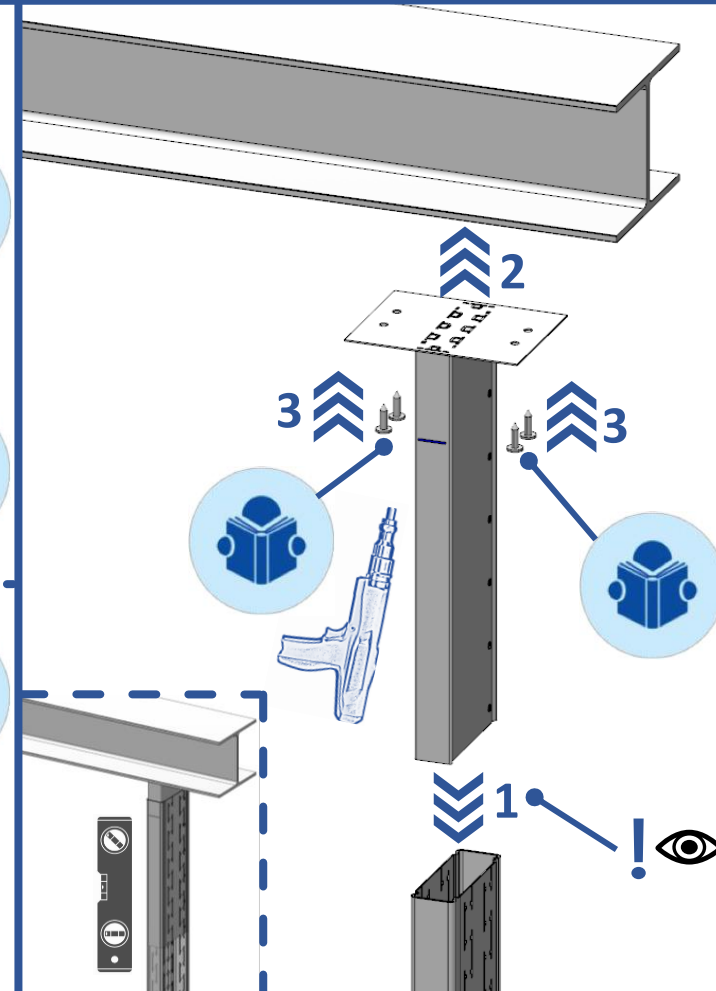
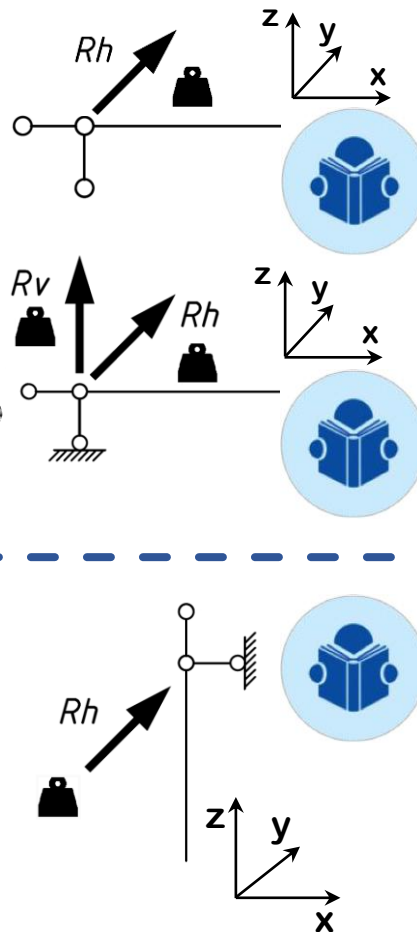
CF1906/600  
CF1906/600-W

IIb



HLB  
HNLB

VLB  
VNLB



1x MR190620



4x

