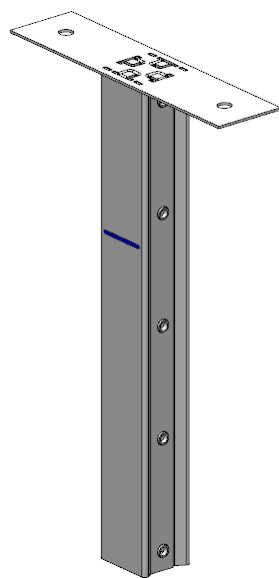
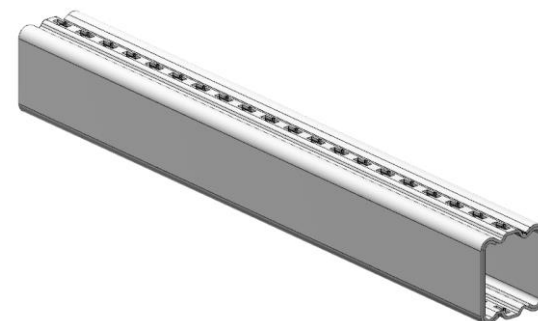
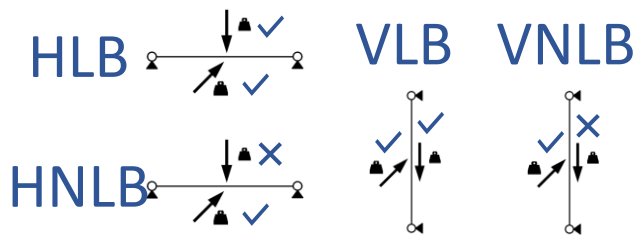
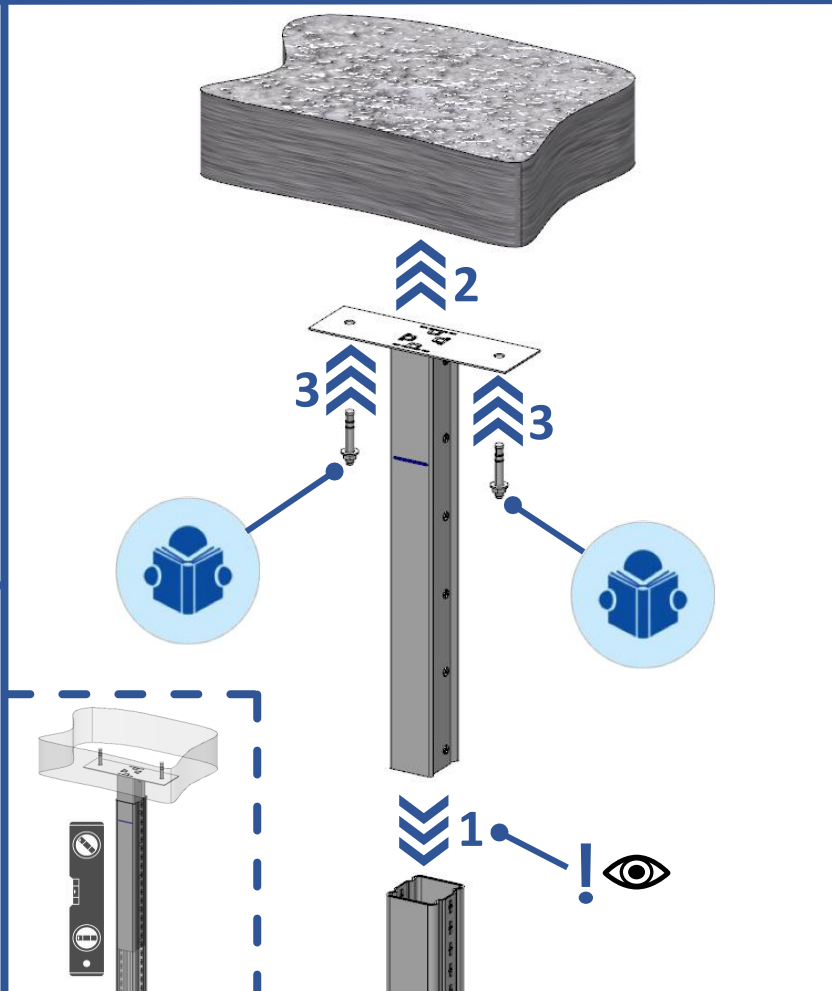
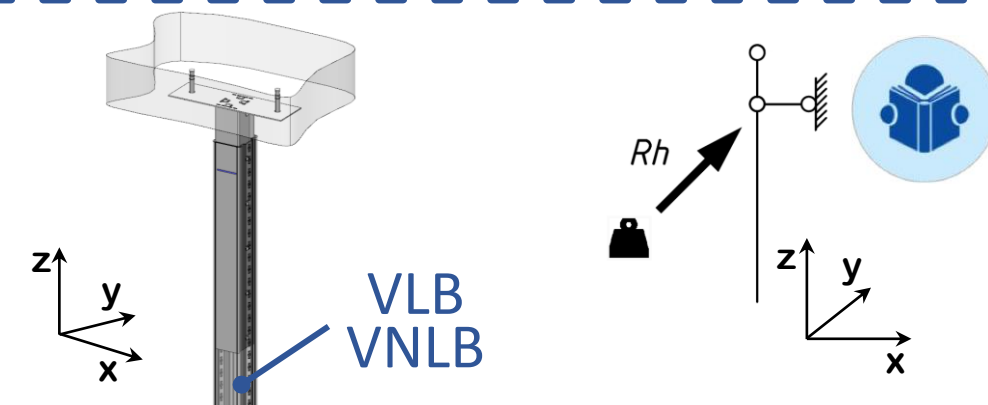
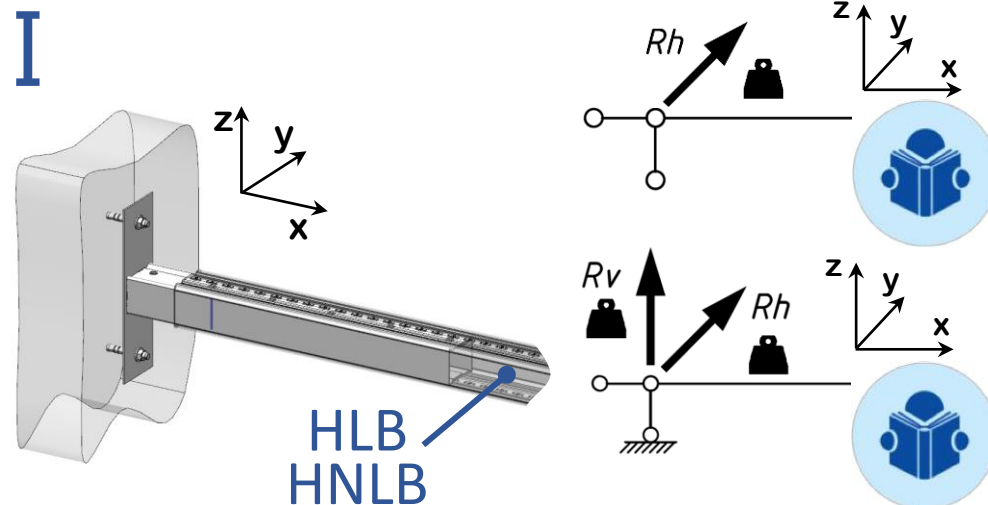


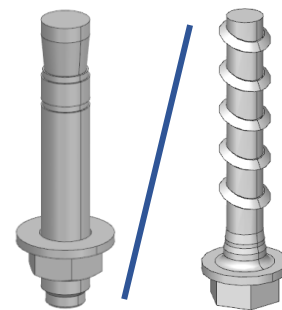
# Stiflex



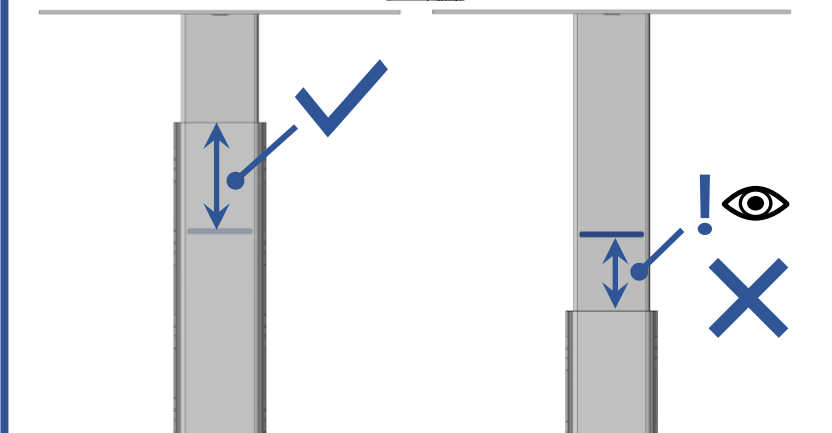
CF0606/400  
CF0606/400-W



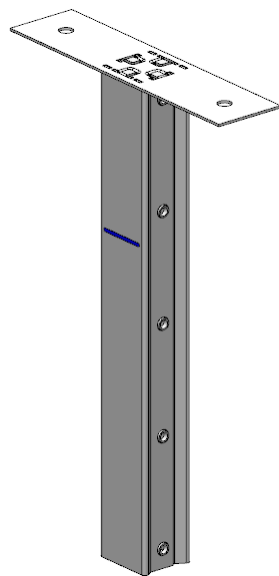
1x MR060620



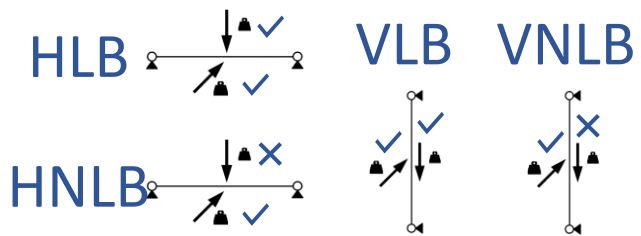
2x M10



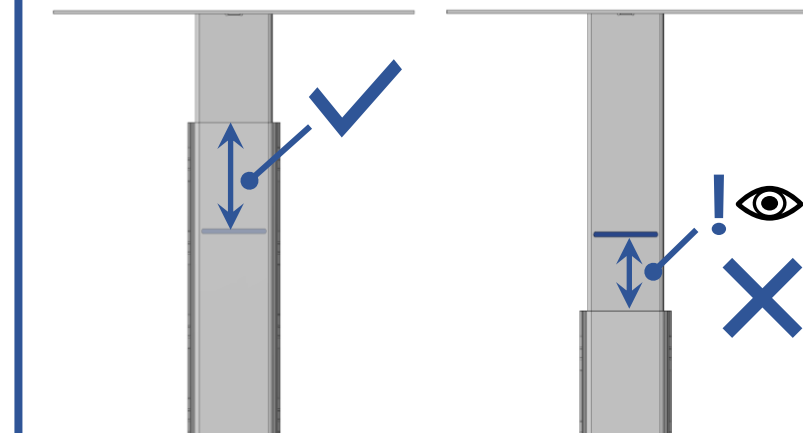
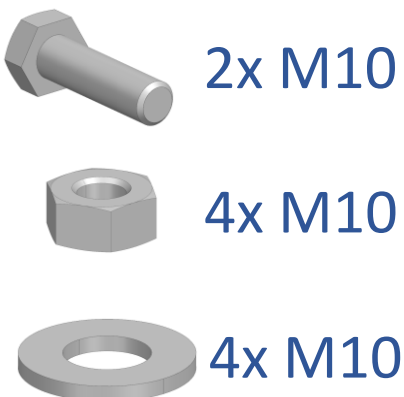
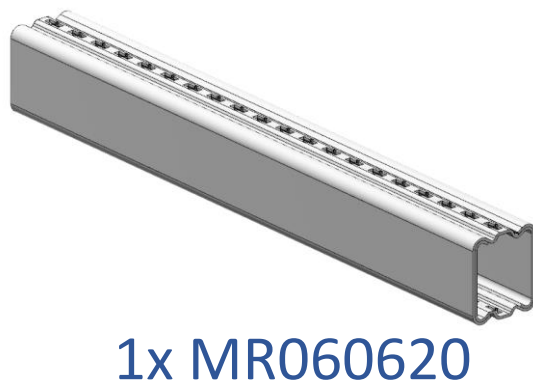
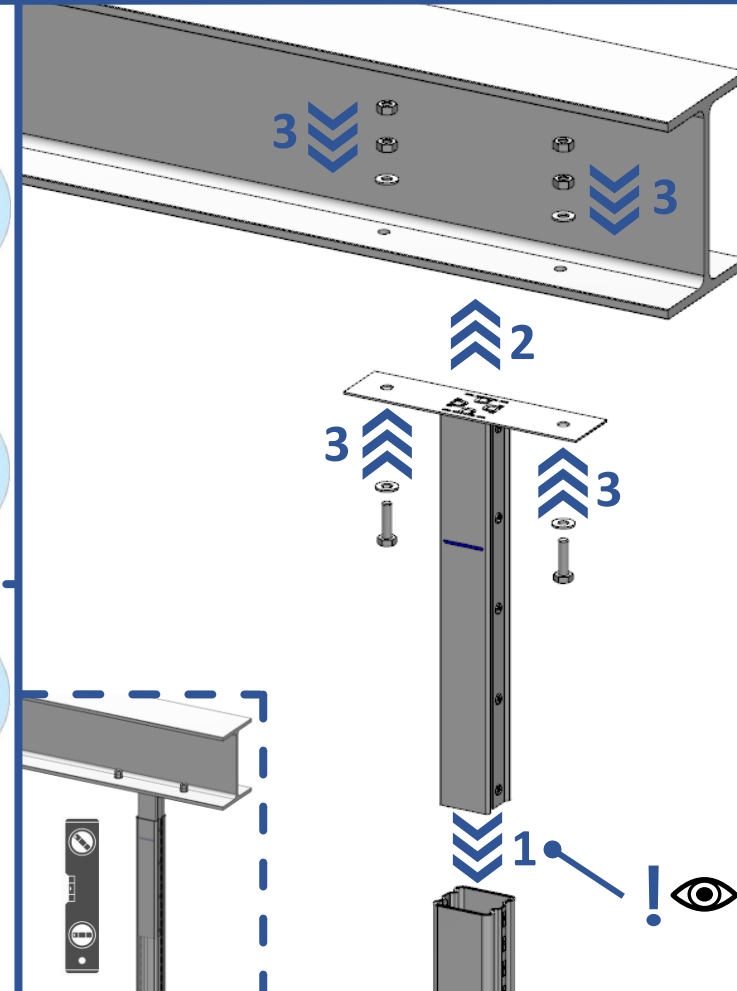
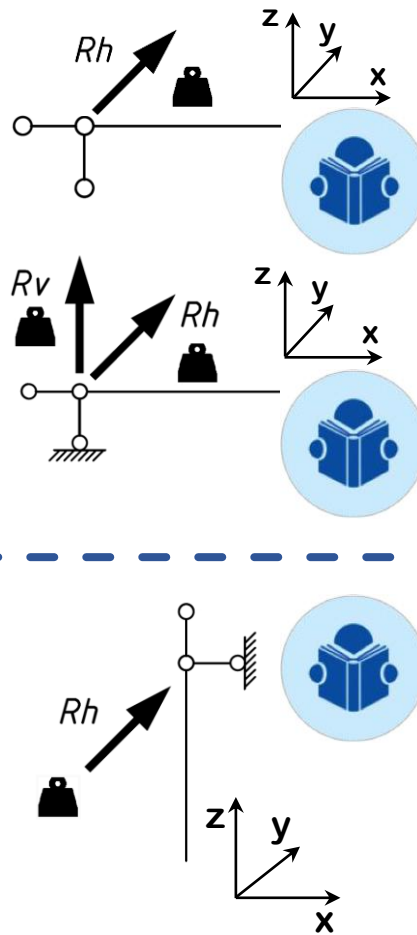
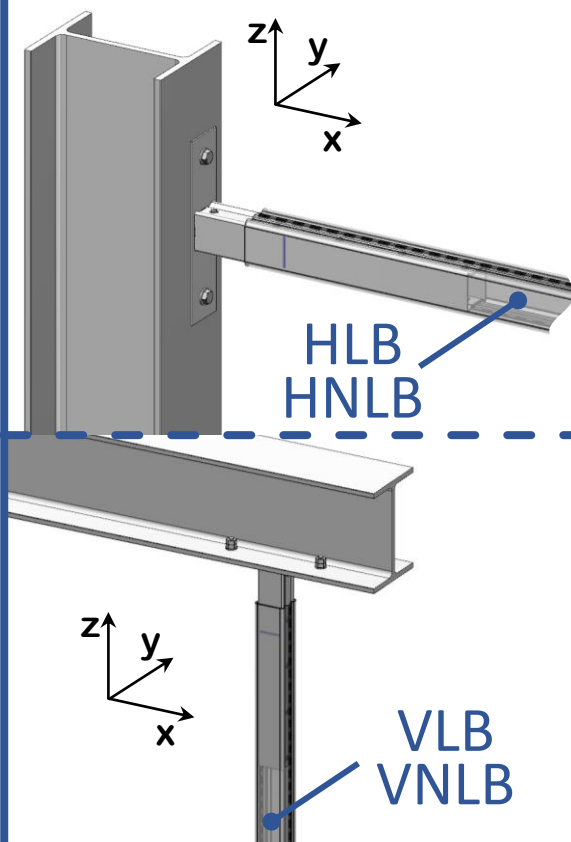
# Stiflex



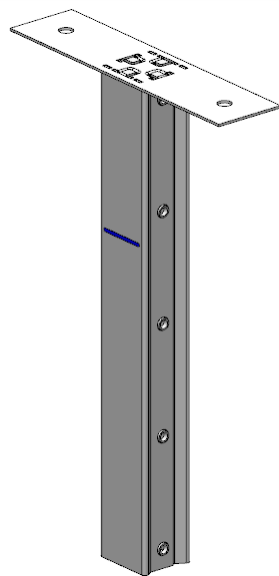
CF0606/400  
CF0606/400-W



## IIa

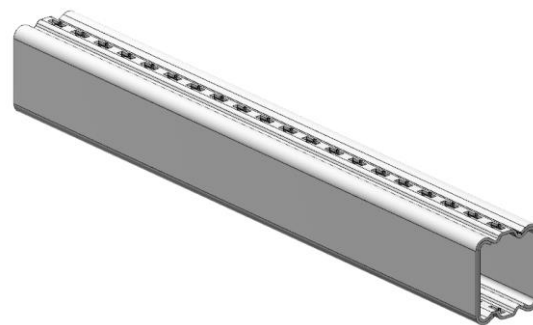
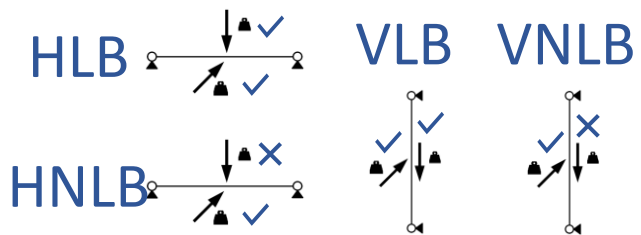
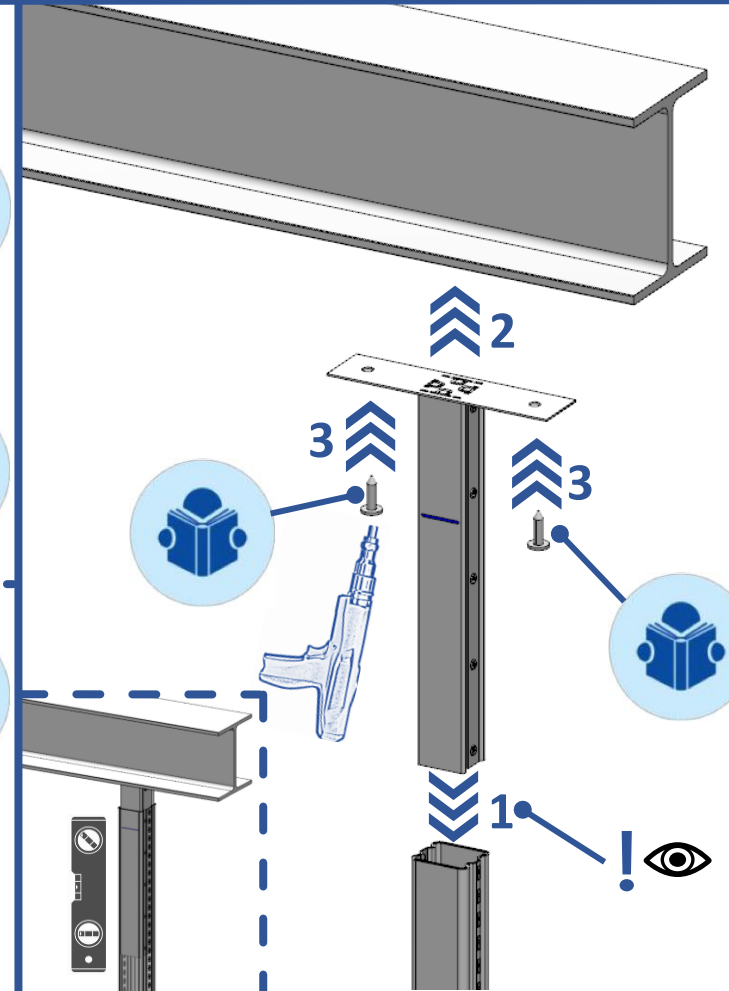
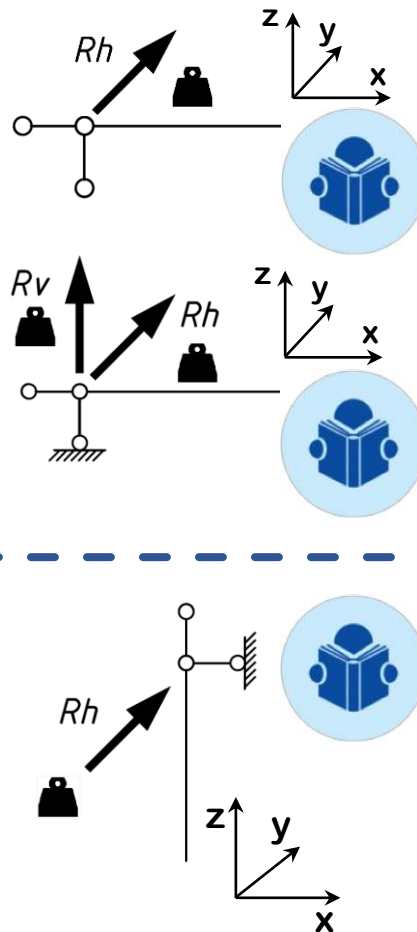
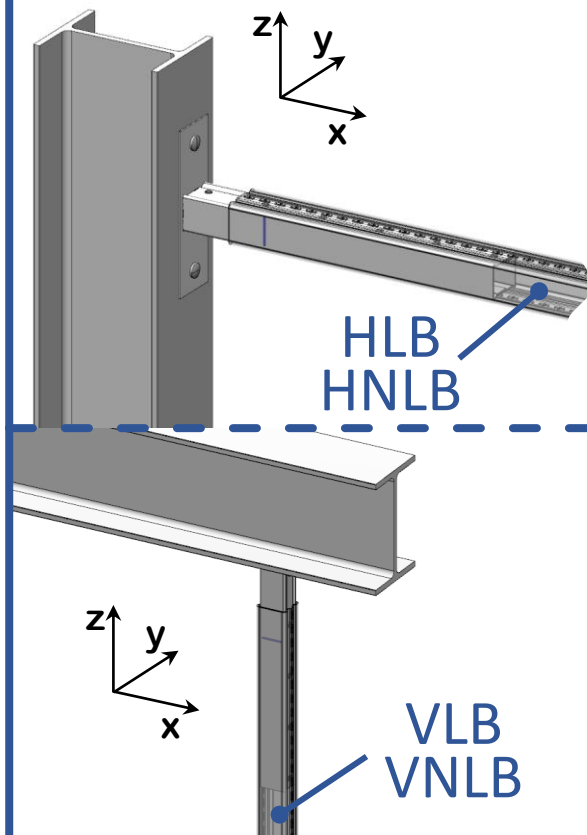


# Stiflex

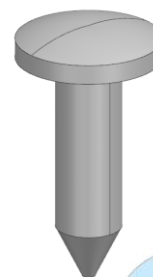


CF0606/400  
CF0606/400-W

IIb



1x MR060620



2x

